

MF1010S-1

FOR AMPS MOBILE TELEPHONE, Tx

MF1010S-1

DESCRIPTION

This SAW filter for the transmitting RF circuit of AMPS mobile communication equipment operating at 824 MHz ~ 849 MHz.

FEATURES

1. SMD package insures small size, lightweight.
2. Adjustment free.
3. Low insertion loss and high stop band attenuation.
4. Wide and sharp passband characteristics.
5. High stability and reliability.
6. Designed for reflow solderings.

APPLICATION

- Mobile Cellular Telephone
- Portable Cellular Telephone
- Wireless equipment

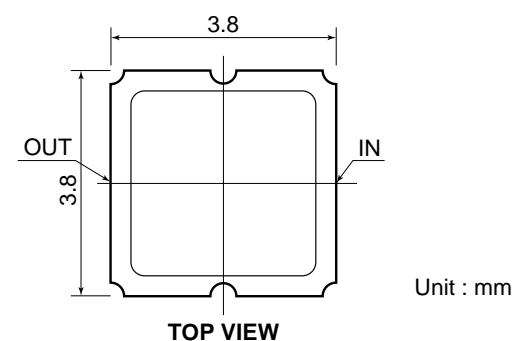
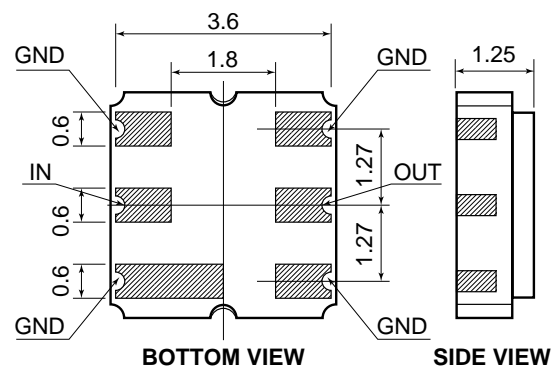
MAXIMUM RATINGS

Rating	Value	Unit
Input Power	50	mW
Operating Temperature Range	-20 to 75	°C
Storage Temperature Range	-30 to 85	°C

ELECTRICAL PERFORMANCE

Parameter	MF1010S-1			Units
	Min	Typ	Max	
PASSBAND FREQUENCY	824 – 849			MHz
PASSBAND CHARECTERISTICS				
Insertion Loss		3.2	3.8	dB
Ripple		1.1	1.5	dBp-p
VSWR		2.1	3.0	
STOPBAND ATTENUATION				
0 – 760 MHz	40	55		dB
760 – 800 MHz	30	35		dB
869 – 915 MHz	20	24		dB
915 – 1200 MHz	40	50		dB

PACKAGE OUTLINE DIMENSIONS



DIMENSIONS ARE IN MILLIMETERS
±0.2 UNLESS OTHERWISE SPECIFIED

MF1010S-1 TYPICAL CHARACTERISTICS

